



**ACTION**<sup>®</sup>

**Sleeve Drive Sockets**





**ACTION**®

Sleeve Drive Sockets

Wrenches

O - Ring

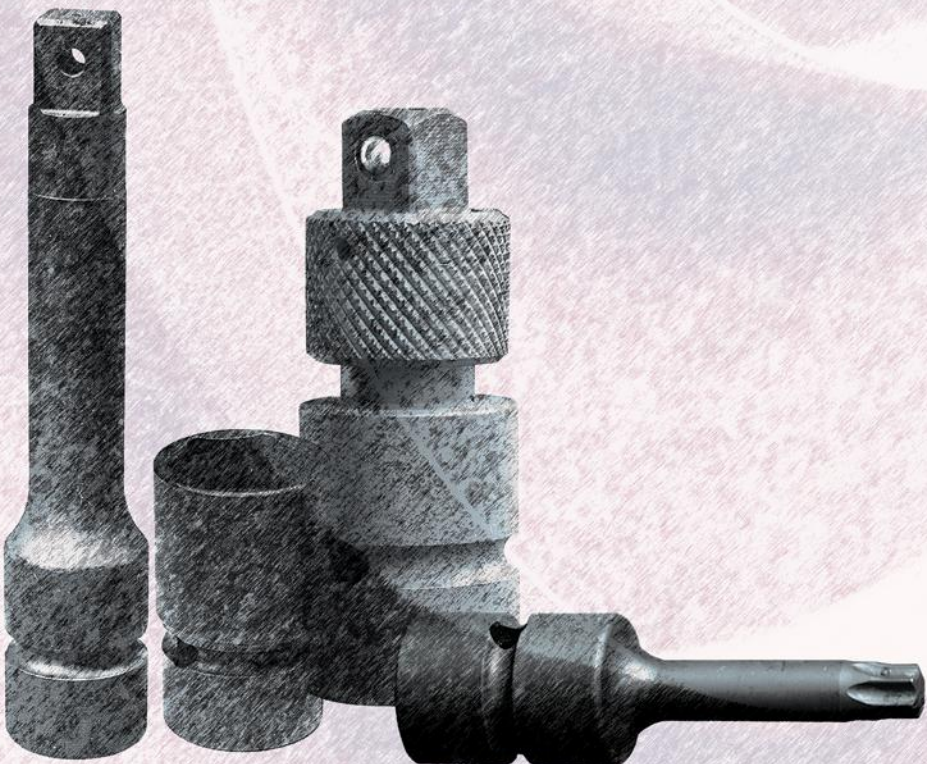
## An investment with valuable benefits for pulse tool users

---

- Maximum tool performance - reduces torque loss during pulsing stage.
- Increase productivity - reduces time loss during pulsing stage.
- Ensure worker safety - virtually no vibration to the operator.
- Increase socket life - reduces wear on sockets.
- Increase tool life - reduced vibration means minimal wear on your tool.



<input type="checkbox"/> 6-Point Sockets	3/8" Sq. Dr., 6-Point Sockets	001~ 003
	1/2" Sq. Dr., 6-Point Sockets	004~ 007
	3/4" Sq. Dr., 6-Point Sockets	008~ 009
<input type="checkbox"/> 6-Point Sockets-Magnetic	3/8" Sq. Dr., 6-Point Sockets-Magnetic	010~ 011
	1/2" Sq. Dr., 6-Point Sockets-Magnetic	012~ 013
<input type="checkbox"/> Hex Drivers	3/8" Sq. Dr., Hex Drivers	014
	1/2" Sq. Dr., Hex Drivers	015
	3/4" Sq. Dr., Hex Drivers	016
<input type="checkbox"/> Internal Torx Drivers	3/8" Sq. Dr., Internal Torx Drivers	017
	1/2" Sq. Dr., Internal Torx Drivers	018
<input type="checkbox"/> External Torx Sockets	3/8" Sq. Dr., External Torx Sockets	019
	1/2" Sq. Dr., External Torx Sockets	020
	3/4" Sq. Dr., External Torx Sockets	021
<input type="checkbox"/> Extension Bars	3/8" Sq. Dr., Extension Bars	022
	1/2" Sq. Dr., Extension Bars	023
	3/4" Sq. Dr., Extension Bars	024
<input type="checkbox"/> Stud Setter Sockets	3/8" Sq. Dr., Stud Setter Sockets	025
	1/2" Sq. Dr., Stud Setter Sockets	026
	3/4" Sq. Dr., Stud Setter Sockets	027
<input type="checkbox"/> Bit Holders	Bit Holders-Quick Releasing Chuck - 3/8", 1/2", 3/4", 1"Dr.,	028
<input type="checkbox"/> Quick Change Adapters	Quick Change Adapters - 3/8", 1/2", 3/4"Dr.,	029
<input type="checkbox"/> Quick Change Extension Baers	Quick Change Extension Baers - 3/8", 1/2", 3/4"Dr.,	030



# 3/8"

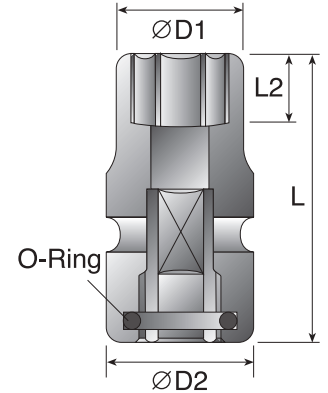
## Sleeve Drive Impact Sockets



### 6-Point Sockets

Order No.	size	D2 mm	D1 mm	L2 mm	L mm
60810008	1/4"	19	11	5	43
60810010	5/16"	19	13	6	43
60810012	3/8"	19	15	7	43
60810014	7/16"	19	17.5	8	43
60810016	1/2"	22	20	9	43
60810018	9/16"	22	21	9	43
60810020	5/8"	22	24	12	43
60810022	11/16"	22	25	12	43
60810024	3/4"	22	27	12	43
60810026	13/16"	22	30	13	43
60810028	7/8"	23	31	14	50
60810030	15/16"	23	34	15	50
60810100	1"	23	36	15	50
60810102	1-1/16"	23	38	15	50

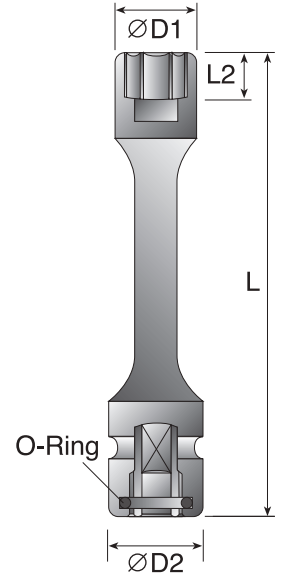
60910006	6mm	19	11	5	43
60910007	7mm	19	12	5	43
60910008	8mm	19	13	7	43
60910009	9mm	19	15	7	43
60910010	10mm	19	16	7	43
60910011	11mm	19	17.5	8	43
60910012	12mm	19	18.5	9	43
60910013	13mm	22	20	9	43
60910014	14mm	22	21	9	43
60910015	15mm	22	22	12	43
60910016	16mm	22	24	12	43
60910017	17mm	22	25	12	43
60910018	18mm	22	26	12	43
60910019	19mm	22	27	12	43
60910020	20mm	22	28	13	43
60910021	21mm	22	30	13	43
60910022	22mm	23	31	14	50
60910023	23mm	23	32	14	50
60910024	24mm	23	34	15	50
60910025	25mm	23	35	15	50
60910026	26mm	23	36	15	50
60910027	27mm	23	38	15	50



**CAUTION:** Always wear safety goggles when using impact equipment. Do not hold socket while in use.

**6-Point Sockets - Extended Length**

Order No.	size	D2	D1	L2	L
		mm	mm	mm	mm
60813008	1/4"	19	11	4	100
60813010	5/16"	19	13	8	100
60813012	3/8"	19	15	8	100
60813014	7/16"	19	17.5	9	100
60813016	1/2"	22	20	9	100
60813018	9/16"	22	21	9	100
60813020	5/8"	22	24	11	100
60813022	11/16"	22	25	11	100
60814008	1/4"	19	11	4	150
60814010	5/16"	19	13	8	150
60814012	3/8"	19	15	8	150
60814014	7/16"	19	17.5	9	150
60814016	1/2"	22	20	9	150
60814018	9/16"	22	21	9	150
60814020	5/8"	22	24	11	150
60814022	11/16"	22	25	11	150
60815008	1/4"	19	11	4	200
60815010	5/16"	19	13	8	200
60815012	3/8"	19	15	8	200
60815014	7/16"	19	17.5	9	200
60815016	1/2"	22	20	9	200
60815018	9/16"	22	21	9	200
60815020	5/8"	22	24	11	200
60815022	11/16"	22	25	11	200



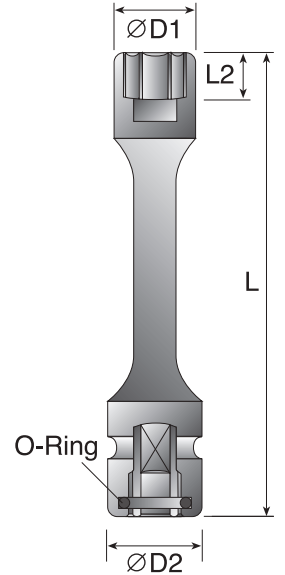
# 3/8"

## Sleeve Drive Impact Sockets



### 6-Point Sockets - Extended Length

Order No.	size	D2 mm	D1 mm	L2 mm	L mm
60913006	6mm	19	11	4	100
60913007	7mm	19	12	6	100
60913008	8mm	19	13	8	100
60913009	9mm	19	15	8	100
60913010	10mm	19	16	8	100
60913011	11mm	19	17.5	9	100
60913012	12mm	19	18.5	9	100
60913013	13mm	22	20	9	100
60913014	14mm	22	21	9	100
60913015	15mm	22	22	11	100
60913016	16mm	22	24	11	100
60913017	17mm	22	25	11	100



60914006	6mm	19	11	4	150
60914007	7mm	19	12	6	150
60914008	8mm	19	13	8	150
60914009	9mm	19	15	8	150
60914010	10mm	19	16	8	150
60914011	11mm	19	17.5	9	150
60914012	12mm	19	18.5	9	150
60914013	13mm	22	20	9	150
60914014	14mm	22	21	9	150
60914015	15mm	22	22	11	150
60914016	16mm	22	24	11	150
60914017	17mm	22	25	11	150



60915006	6mm	19	11	4	200
60915007	7mm	19	12	6	200
60915008	8mm	19	13	8	200
60915009	9mm	19	15	8	200
60915010	10mm	19	16	8	200
60915011	11mm	19	17.5	9	200
60915012	12mm	19	18.5	9	200
60915013	13mm	22	20	9	200
60915014	14mm	22	21	9	200
60915015	15mm	22	22	11	200
60915016	16mm	22	24	11	200
60915017	17mm	22	25	11	200



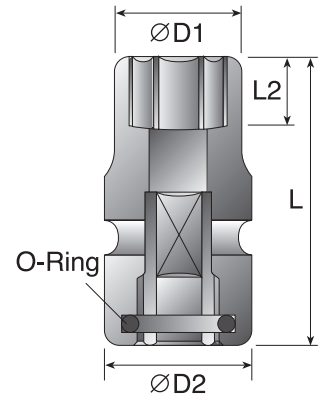
1/2"

Sleeve Drive Impact Sockets



6-Point Sockets

Order No.	size	D2	D1	L2	L
		mm	mm	mm	mm
60820008	1/4"	25	13	6	52
60820010	5/16"	25	15	9	52
60820012	3/8"	25	17.5	12	52
60820014	7/16"	25	18.5	12	52
60820016	1/2"	25	21	12	52
60820018	9/16"	25	22.5	12	52
60820020	5/8"	30	25	12	52
60820022	11/16"	30	27.5	13	52
60820024	3/4"	30	28.5	13	52
60820026	13/16"	30	31	14	52
60820028	7/8"	30	32	14	52
60820030	15/16"	30	35	15	52
60820100	1"	30	38	17	57
60820102	1-1/16"	30	38.5	17	57
60820104	1-1/8"	30	41	18	57
60820106	1-3/16"	30	42	18	57
60820108	1-1/4"	30	44	20	62
60820110	1-5/16"	30	46	20	62
60820112	1-3/8"	30	50	21	62
60820114	1-7/16"	30	52	22	62
60820116	1-1/2"	38	54	23	65





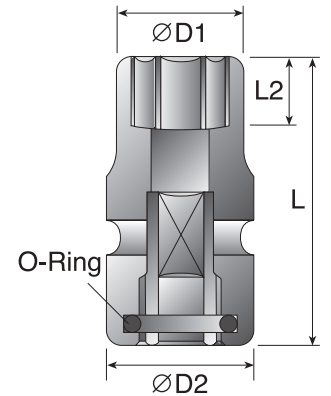
# 1/2"

## Sleeve Drive Impact Sockets



### 6-Point Sockets

Order No.	size	D2	D1	L2	L
		mm	mm	mm	mm
60920006	6mm	25	13	6	52
60920007	7mm	25	14	7	52
60920008	8mm	25	15	9	52
60920009	9mm	25	16	12	52
60920010	10mm	25	17.5	12	52
60920011	11mm	25	18.5	12	52
60920012	12mm	25	20	12	52
60920013	13mm	25	21	12	52
60920014	14mm	25	22.5	12	52
60920015	15mm	30	23.5	12	52
60920016	16mm	30	25	12	52
60920017	17mm	30	26	13	52
60920018	18mm	30	27.5	13	52
60920019	19mm	30	28.5	13	52
60920020	20mm	30	30	14	52
60920021	21mm	30	31	14	52
60920022	22mm	30	32	14	52
60920023	23mm	30	34	14	52
60920024	24mm	30	35	15	52
60920025	25mm	30	36	15	57
60920026	26mm	30	38	17	57
60920027	27mm	30	38.5	17	57
60920028	28mm	30	40	17	57
60920029	29mm	30	41	18	57
60920030	30mm	30	42	18	57
60920031	31mm	30	43	18	57
60920032	32mm	30	44	20	62
60920033	33mm	30	46	20	62
60920034	34mm	30	48	21	62
60920035	35mm	30	50	21	62
60920036	36mm	30	52	22	62
60920038	38mm	38	54	23	65



**CAUTION:** Always wear safety goggles when using impact equipment. Do not hold socket while in use.





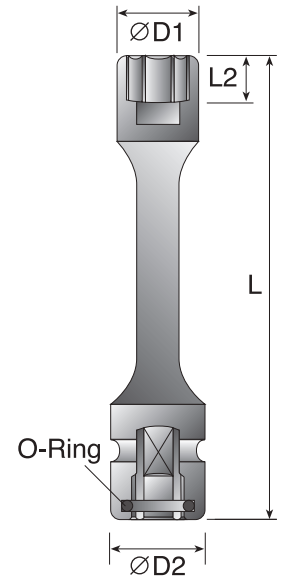
1/2"

Sleeve Drive Impact Sockets



6-Point Sockets - Extended Length

Order No.	size	D2	D1	L2	L
		mm	mm	mm	mm
60823012	3/8"	25	17.5	12	100
60823014	7/16"	25	18.5	12	100
60823016	1/2"	25	21	12	100
60823018	9/16"	25	22.5	12	100
60823020	5/8"	30	25	12	100
60823022	11/16"	30	27.5	13	100
60823024	3/4"	30	28.5	13	100
<hr/>					
60824012	3/8"	25	17.5	12	150
60824014	7/16"	25	18.5	12	150
60824016	1/2"	25	21	12	150
60824018	9/16"	25	22.5	12	150
60824020	5/8"	30	25	12	150
60824022	11/16"	30	27.5	13	150
60824024	3/4"	30	28.5	13	150
<hr/>					
60825012	3/8"	25	17.5	12	200
60825014	7/16"	25	18.5	12	200
60825016	1/2"	25	21	12	200
60825018	9/16"	25	22.5	12	200
60825020	5/8"	30	25	12	200
60825022	11/16"	30	27.5	13	200
60825024	3/4"	30	28.5	13	200





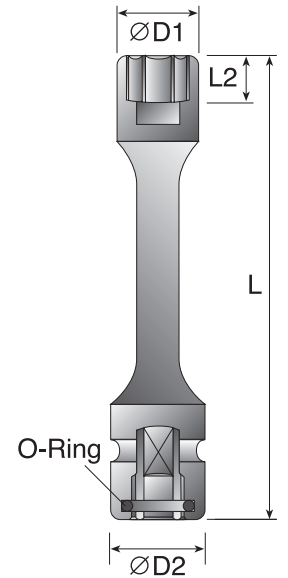
# 1/2"

## Sleeve Drive Impact Sockets



### 6-Point Sockets - Extended Length

Order No.	size	D2	D1	L2	L
		mm	mm	mm	mm
60923010	10mm	25	17.5	12	100
60923011	11mm	25	18.5	12	100
60923012	12mm	25	20	12	100
60923013	13mm	25	21	12	100
60923014	14mm	25	22.5	12	100
60923015	15mm	30	23.5	12	100
60923016	16mm	30	25	12	100
60923017	17mm	30	26	13	100
60923018	18mm	30	27.5	13	100
60923019	19mm	30	28.5	13	100
60924010	10mm	25	17.5	12	150
60924011	11mm	25	18.5	12	150
60924012	12mm	25	20	12	150
60924013	13mm	25	21	12	150
60924014	14mm	25	22.5	12	150
60924015	15mm	30	23.5	12	150
60924016	16mm	30	25	12	150
60924017	17mm	30	26	13	150
60924018	18mm	30	27.5	13	150
60924019	19mm	30	28.5	13	150
60925010	10mm	25	17.5	12	200
60925011	11mm	25	18.5	12	200
60925012	12mm	25	20	12	200
60925013	13mm	25	21	12	200
60925014	14mm	25	22.5	12	200
60925015	15mm	30	23.5	12	200
60925016	16mm	30	25	12	200
60925017	17mm	30	26	13	200
60925018	18mm	30	27.5	13	200
60925019	19mm	30	28.5	13	200



**CAUTION:** Always wear safety goggles when using impact equipment. Do not hold socket while in use.



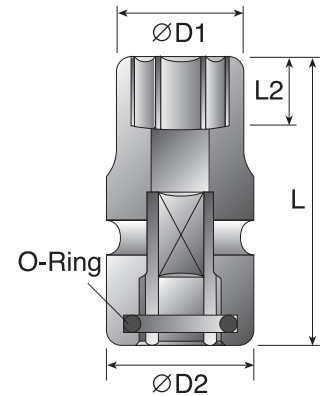
# 3/4"

## Sleeve Drive Impact Sockets



### 6-Point Sockets

Order No.	size	D2	D1	L2	L
		mm	mm	mm	mm
60840016	1/2"	44	24.5	12	65
60840018	9/16"	44	25.5	12	65
60840020	5/8"	44	28	12	65
60840022	11/16"	44	30	12	65
60840024	3/4"	44	32	13	65
60840026	13/16"	44	35	15	68
60840028	7/8"	44	37	15	68
60840030	15/16"	44	39	15	68
60840100	1"	44	41	16	69
60840102	1-1/16"	44	43	17	69
60840104	1-1/8"	44	44	18	71
60840106	1-3/16"	44	47	18	71
60840108	1-1/4"	44	49	20	72
60840110	1-5/16"	44	51	21	73
60840112	1-3/8"	44	53	22	73
60840114	1-7/16"	44	54	23	73
60840116	1-1/2"	44	57	24	75
60840118	1-9/16"	44	60	24	75
60840120	1-5/8"	44	60	27	75
60840122	1-11/16"	44	63.5	27	75
60840124	1-3/4"	44	64.5	27	75
60840126	1-13/16"	44	66.5	30	80
60840128	1-7/8"	44	68	30	80
60840130	1-15/16"	44	70	31	80
60840200	2"	54	71	32	85
60840202	2-1/16"	54	74	32	85
60840204	2-1/8"	54	77	32	85
60840206	2-3/16"	54	77	32	85





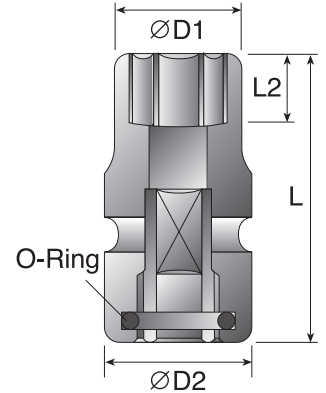
# 3/4"

## Sleeve Drive Impact Sockets



### 6-Point Sockets

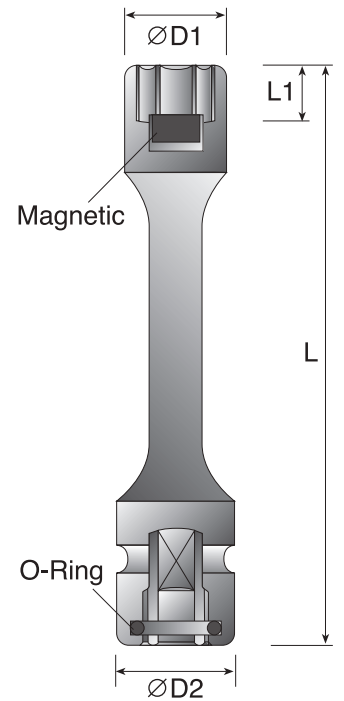
Order No.	size	D2	D1	L2	L
		mm	mm	mm	mm
60940013	13mm	44	24.5	12	65
60940014	14mm	44	25.5	12	65
60940015	15mm	44	27	12	65
60940016	16mm	44	28	12	65
60940017	17mm	44	30	12	65
60940018	18mm	44	31	13	65
60940019	19mm	44	32	13	65
60940020	20mm	44	34	15	68
60940021	21mm	44	35	15	68
60940022	22mm	44	37	15	68
60940023	23mm	44	38	15	68
60940024	24mm	44	39	15	68
60940025	25mm	44	41	16	69
60940026	26mm	44	42	16	69
60940027	27mm	44	43	17	69
60940028	28mm	44	44	18	71
60940029	29mm	44	46	18	71
60940030	30mm	44	47	18	71
60940031	31mm	44	48	19	72
60940032	32mm	44	49	20	72
60940033	33mm	44	51	21	73
60940034	34mm	44	52	22	73
60940035	35mm	44	53	22	73
60940036	36mm	44	54	23	73
60940037	37mm	44	56	24	73
60940038	38mm	44	57	24	75
60940039	39mm	44	59	24	75
60940040	40mm	44	60	24	75
60940041	41mm	44	60	27	75
60940042	42mm	44	62	27	75
60940043	43mm	44	63.5	27	75
60940044	44mm	44	64.5	27	75
60940045	45mm	44	66	27	75
60940046	46mm	44	66.5	30	80
60940047	47mm	44	68	30	80
60940048	48mm	44	69	30	80
60940049	49mm	44	70	30	80
60940050	50mm	54	71	31	80
60940051	51mm	54	71	32	85
60940052	52mm	54	74	32	85
60940053	53mm	54	75	32	85
60940054	54mm	54	77	32	85
60940055	55mm	54	77	32	85



**CAUTION:** Always wear safety goggles when using impact equipment. Do not hold socket while in use.

**6-Point Sockets - Extended Length - With Magnetic**

Order No.	size	D2	D1	L1	L
		mm	mm	mm	mm
6081P008	1/4"	19	11	3	100
6081P010	5/16"	19	13	4	100
6081P012	3/8"	19	15	4	100
6081P014	7/16"	19	17.5	5	100
6081P016	1/2"	22	20	6	100
6081P018	9/16"	22	21	6	100
6081P020	5/8"	22	24	7	100
6081P022	11/16"	22	25	7	100
6081R008	1/4"	19	11	3	150
6081R010	5/16"	19	13	4	150
6081R012	3/8"	19	15	4	150
6081R014	7/16"	19	17.5	5	150
6081R016	1/2"	22	20	6	150
6081R018	9/16"	22	21	6	150
6081R020	5/8"	22	24	7	150
6081R022	11/16"	22	25	7	150
6081T008	1/4"	19	11	3	200
6081T010	5/16"	19	13	4	200
6081T012	3/8"	19	15	4	200
6081T014	7/16"	19	17.5	5	200
6081T016	1/2"	22	20	6	200
6081T018	9/16"	22	21	6	200
6081T020	5/8"	22	24	7	200
6081T022	11/16"	22	25	7	200



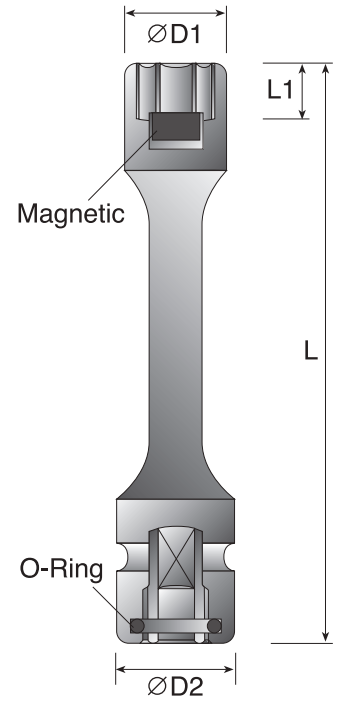
# 3/8"

## Sleeve Drive Impact Sockets



### 6-Point Sockets - Extended Length - With Magnetic

Order No.	size	D2 mm	D1 mm	L1 mm	L mm
6091P006	6mm	19	11	3	100
6091P007	7mm	19	12	3	100
6091P008	8mm	19	13	4	100
6091P009	9mm	19	15	4	100
6091P010	10mm	19	16	4	100
6091P011	11mm	19	17.5	5	100
6091P012	12mm	19	18.5	5	100
6091P013	13mm	22	20	6	100
6091P014	14mm	22	21	6	100
6091P015	15mm	22	22	7	100
6091P016	16mm	22	24	7	100
6091P017	17mm	22	25	7	100
6091R006	6mm	19	11	3	150
6091R007	7mm	19	12	3	150
6091R008	8mm	19	13	4	150
6091R009	9mm	19	15	4	150
6091R010	10mm	19	16	4	150
6091R011	11mm	19	17.5	5	150
6091R012	12mm	19	18.5	5	150
6091R013	13mm	22	20	6	150
6091R014	14mm	22	21	6	150
6091R015	15mm	22	22	7	150
6091R016	16mm	22	24	7	150
6091R017	17mm	22	25	7	150
6091T006	6mm	19	11	3	200
6091T007	7mm	19	12	3	200
6091T008	8mm	19	13	4	200
6091T009	9mm	19	15	4	200
6091T010	10mm	19	16	4	200
6091T011	11mm	19	17.5	5	200
6091T012	12mm	19	18.5	5	200
6091T013	13mm	22	20	6	200
6091T014	14mm	22	21	6	200
6091T015	15mm	22	22	7	200
6091T016	16mm	22	24	7	200
6091T017	17mm	22	25	7	200





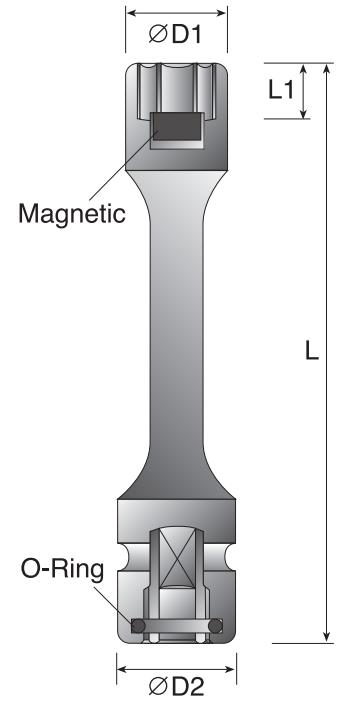
1/2"

Sleeve Drive Impact Sockets



6-Point Sockets - Extended Length - With Magnetic

Order No.	size	D2 mm	D1 mm	L1 mm	L mm
6082P012	3/8"	25	17.5	4	100
6082P014	7/16"	25	18.5	5	100
6082P016	1/2"	25	21	6	100
6082P018	9/16"	25	22.5	6	100
6082P020	5/8"	30	25	7	100
6082P022	11/16"	30	27.5	8	100
6082P024	3/4"	30	28.5	8	100
6082R012	3/8"	25	17.5	4	150
6082R014	7/16"	25	18.5	5	150
6082R016	1/2"	25	21	6	150
6082R018	9/16"	25	22.5	6	150
6082R020	5/8"	30	25	7	150
6082R022	11/16"	30	27.5	8	150
6082R024	3/4"	30	28.5	8	150
6082T012	3/8"	25	17.5	4	200
6082T014	7/16"	25	18.5	5	200
6082T016	1/2"	25	21	6	200
6082T018	9/16"	25	22.5	6	200
6082T020	5/8"	30	25	7	200
6082T022	11/16"	30	27.5	8	200
6082T024	3/4"	30	28.5	8	200





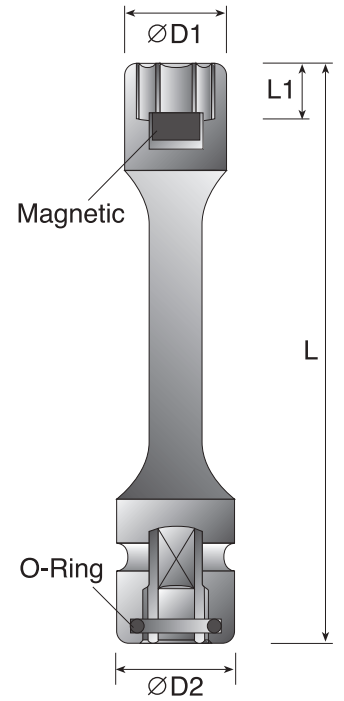
# 1/2"

## Sleeve Drive Impact Sockets



### 6-Point Sockets - Extended Length - With Magnetic

Order No.	size	D2 mm	D1 mm	L1 mm	L mm
6092P010	10mm	25	17.5	4	100
6092P011	11mm	25	18.5	5	100
6092P012	12mm	25	20	5	100
6092P013	13mm	25	21	6	100
6092P014	14mm	25	22.5	6	100
6092P015	15mm	30	23.5	7	100
6092P016	16mm	30	25	7	100
6092P017	17mm	30	26	7	100
6092P018	18mm	30	27.5	8	100
6092P019	19mm	30	28.5	8	100
6092R010	10mm	25	17.5	4	150
6092R011	11mm	25	18.5	5	150
6092R012	12mm	25	20	5	150
6092R013	13mm	25	21	6	150
6092R014	14mm	25	22.5	6	150
6092R015	15mm	30	23.5	7	150
6092R016	16mm	30	25	7	150
6092R017	17mm	30	26	7	150
6092R018	18mm	30	27.5	8	150
6092R019	19mm	30	28.5	8	150
6092T010	10mm	25	17.5	4	200
6092T011	11mm	25	18.5	5	200
6092T012	12mm	25	20	5	200
6092T013	13mm	25	21	6	200
6092T014	14mm	25	22.5	6	200
6092T015	15mm	30	23.5	7	200
6092T016	16mm	30	25	7	200
6092T017	17mm	30	26	7	200
6092T018	18mm	30	27.5	8	200
6092T019	19mm	30	28.5	8	200

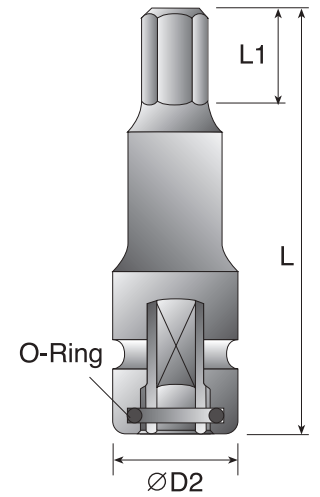


**CAUTION:** Always wear safety goggles when using impact equipment. Do not hold socket while in use.



**Hex Drivers**

Order No.	size	D2	L1	L
		mm	mm	mm
68911006	3/16"	22	11	75
68911007	7/32"	22	11	75
68911008	1/4"	22	11	75
68911009	9/32"	22	16	75
68911010	5/16"	22	16	75
68911012	3/8"	22	16	75
68911014	7/16"	22	16	75
68911016	1/2"	22	16	75
68911018	9/16"	22	16	75
68911020	5/8"	22	16	75
<hr/>				
68916003	3mm	22	11	75
68916004	4mm	22	11	75
68916005	5mm	22	11	75
68916006	6mm	22	11	75
68916007	7mm	22	16	75
68916008	8mm	22	16	75
68916009	9mm	22	16	75
68916010	10mm	22	16	75
68916011	11mm	22	16	75
68916012	12mm	22	16	75
68916013	13mm	22	16	75
68916014	14mm	22	16	75
68916015	15mm	22	16	75
68916016	16mm	22	16	75





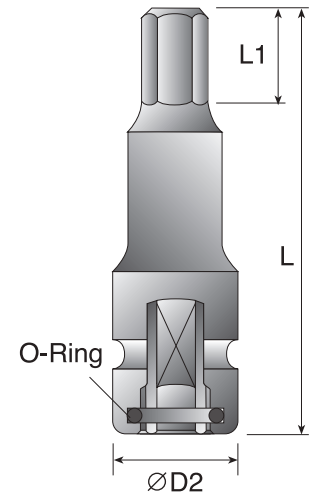
# 1/2"

## Sleeve Drive Impact Sockets



### Hex Drivers

Order No.	size	D2	L1	L
		mm	mm	mm
68920006	3/16"	25	11	75
68920007	7/32"	25	15	75
68920008	1/4"	25	15	75
68920009	9/32"	25	25	75
68920010	5/16"	25	25	75
68920012	3/8"	25	25	75
68920014	7/16"	25	25	75
68920016	1/2"	25	25	75
68920018	9/16"	25	25	75
68920020	5/8"	25	25	75
68920022	11/16"	25	25	75
68920024	3/4"	25	25	75
<hr/>				
68925003	3mm	25	11	75
68925004	4mm	25	11	75
68925005	5mm	25	15	75
68925006	6mm	25	15	75
68925007	7mm	25	20	75
68925008	8mm	25	25	75
68925009	9mm	25	25	75
68925010	10mm	25	25	75
68925011	11mm	25	25	75
68925012	12mm	25	25	75
68925013	13mm	25	25	75
68925014	14mm	25	25	75
68925015	15mm	25	25	75
68925016	16mm	25	25	75
68925017	17mm	25	25	75
68925018	18mm	25	25	75
68925019	19mm	25	25	75



**CAUTION:** Always wear safety goggles when using impact equipment. Do not hold socket while in use.



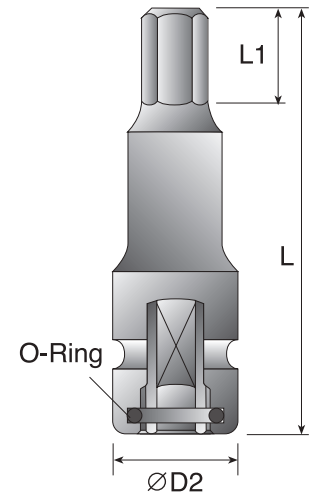
3/4"

Sleeve Drive Impact Sockets



Hex Drivers

Order No.	size	D2	L1	L
		mm	mm	mm
68940012	3/8"	44	20	100
68940014	7/16"	44	20	100
68940016	1/2"	44	20	100
68940018	9/16"	44	20	100
68940020	5/8"	44	20	100
68940022	11/16"	44	20	100
68940024	3/4"	44	20	100
68940026	13/16"	44	20	100
68940028	7/8"	44	20	100
68940030	15/16"	44	20	100
68940100	1"	44	20	100
68940102	1-1/16"	44	20	100
68940104	1-1/8"	44	20	100
68940106	1-3/16"	44	20	100
68940108	1-1/4"	44	20	100
68940110	1-5/16"	44	20	100
68940112	1-3/8"	44	20	100
68940116	1-1/2"	44	20	100
<hr/>				
68945010	10mm	44	20	100
68945012	12mm	44	20	100
68945014	14mm	44	20	100
68945016	16mm	44	20	100
68945017	17mm	44	20	100
68945019	19mm	44	20	100
68945022	22mm	44	20	100
68945024	24mm	44	20	100
68945027	27mm	44	20	100
68945030	30mm	44	20	100
68945032	32mm	44	20	100
68945033	33mm	44	20	100
68945036	36mm	44	20	100
68945038	38mm	44	20	100



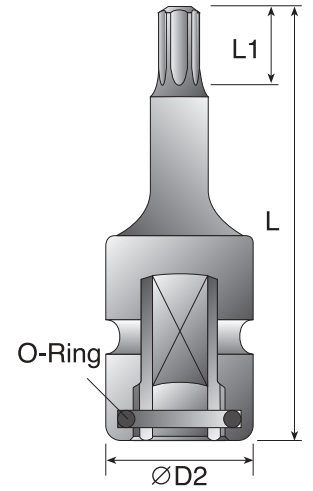
# 3/8"

## Sleeve Drive Impact Sockets



### Internal Torx® Drivers

Order No.	size	D2	L1	L
		mm	mm	mm
68811009	T9	22	2	75
68811010	T10	22	2.8	75
68811015	T15	22	2.8	75
68811020	T20	22	2.8	75
68811025	T25	22	3	75
68811027	T27	22	3	75
68811030	T30	22	3.8	75
68811040	T40	22	3.8	75
68811045	T45	22	4.3	75
68811047	T47	22	5	75
68811050	T50	22	5	75
68811055	T55	22	5.5	75



☆ Torx® is a trademark of Textron.



**CAUTION:** Always wear safety goggles when using impact equipment. Do not hold socket while in use.



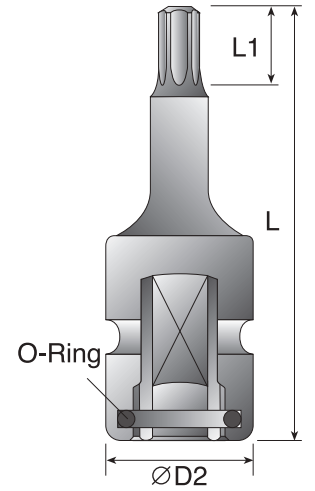
1/2"

Sleeve Drive Impact Sockets



Internal Torx® Drivers

Order No.	size	D2	L1	L
		mm	mm	mm
68821020	T20	25	2.8	75
68821025	T25	25	3	75
68821027	T27	25	3	75
68821030	T30	25	3.8	75
68821040	T40	25	3.8	75
68821045	T45	25	4.3	75
68821047	T47	25	5	75
68821050	T50	25	5	75
68821055	T55	25	5.5	75
68821060	T60	25	8	75
68821070	T70	25	9.4	75
68821080	T80	25	10.5	75
68821090	T90	25	11.8	75
68821100	T100	25	13.1	75



☆ Torx® is a trademark of Textron.



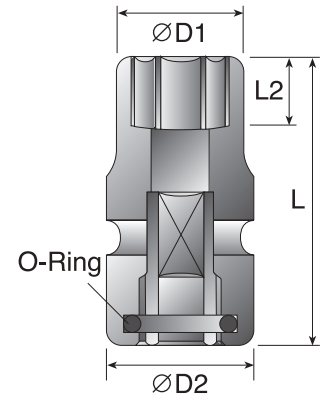
# 3/8"

## Sleeve Drive Impact Sockets



### External Torx®

Order No.	size	D2	D1	L2	L
		mm	mm	mm	mm
66910005	E5	19	8	4.5	43
66910006	E6	19	9	5	43
66910007	E7	19	9.5	6	43
66910008	E8	19	11	6.5	43
66910010	E10	19	13	7.5	43
66910011	E11	19	14	8	43
66910012	E12	19	15.5	8.5	43
66910014	E14	22	17.5	10	43
66910016	E16	22	19.5	11	43



☆ Torx® is a trademark of Textron.



**CAUTION:** Always wear safety goggles when using impact equipment. Do not hold socket while in use.



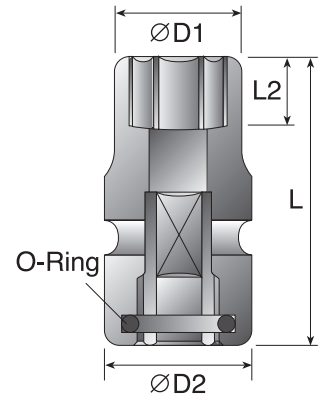
1/2"

Sleeve Drive Impact Sockets



External Torx®

Order No.	size	D2	D1	L2	L
		mm	mm	mm	mm
66920010	E10	25	14	7.5	52
66920011	E11	25	15	8	52
66920012	E12	25	16	8.5	52
66920014	E14	25	18	10	52
66920016	E16	25	20	11	52
66920018	E18	25	22	12.5	52
66920020	E20	30	25	14	52
66920022	E22	30	27	15	52
66920024	E24	30	29	16.5	52



☆ Torx® is a trademark of Textron.





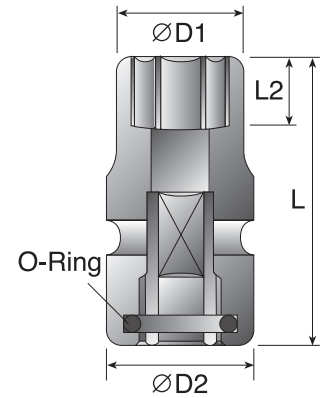
3/4"

Sleeve Drive Impact Sockets



External Torx®

Order No.	size	D2	D1	L2	L
		mm	mm	mm	mm
66940018	E18	44	26	12.5	65
66940020	E20	44	28	14	65
66940022	E22	44	31	15	65
66940024	E24	44	33	16.5	65





☆ Torx® is a trademark of Textron.

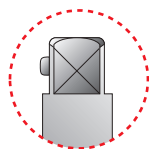
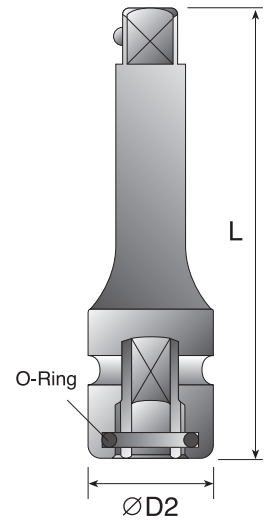
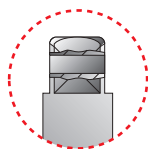


CAUTION: Always wear safety goggles when using impact equipment. Do not hold socket while in use.



**Extension Bars**

Order No.			D2	L	Male end
			mm	mm	Type
64611075	3/8"	3/8"	22	75	Steel Ball Retainer
64611100	3/8"	3/8"	22	100	Steel Ball Retainer
64611125	3/8"	3/8"	22	125	Steel Ball Retainer
64611150	3/8"	3/8"	22	150	Steel Ball Retainer
64611200	3/8"	3/8"	22	200	Steel Ball Retainer
64611250	3/8"	3/8"	22	250	Steel Ball Retainer
<hr/>					
64612075	3/8"	3/8"	22	75	Pin Hole
64612100	3/8"	3/8"	22	100	Pin Hole
64612125	3/8"	3/8"	22	125	Pin Hole
64612150	3/8"	3/8"	22	150	Pin Hole
64612200	3/8"	3/8"	22	200	Pin Hole
64612250	3/8"	3/8"	22	250	Pin Hole
<hr/>					
64614075	3/8"	3/8"	22	75	Lock Pin Retainer
64614100	3/8"	3/8"	22	100	Lock Pin Retainer
64614125	3/8"	3/8"	22	125	Lock Pin Retainer
64614150	3/8"	3/8"	22	150	Lock Pin Retainer
64614200	3/8"	3/8"	22	200	Lock Pin Retainer
64614250	3/8"	3/8"	22	250	Lock Pin Retainer


**Lock Pin Retainer**

**Pin Hole**



**Steel Ball Retainer**

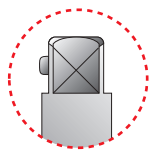
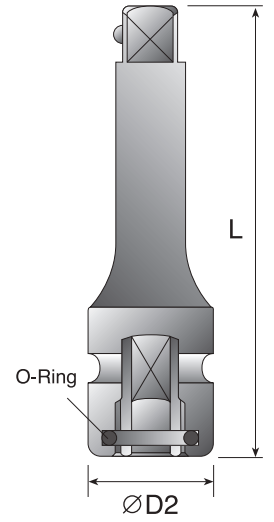
# 1/2"

## Sleeve Drive Impact Sockets

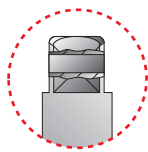


### Extension Bars

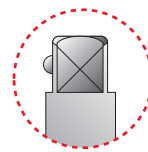
Order No.			D2	L	Male end
			mm	mm	Type
64621075	1/2"	1/2"	25	75	Steel Ball Retainer
64621100	1/2"	1/2"	25	100	Steel Ball Retainer
64621125	1/2"	1/2"	25	125	Steel Ball Retainer
64621150	1/2"	1/2"	25	150	Steel Ball Retainer
64621175	1/2"	1/2"	25	175	Steel Ball Retainer
64621200	1/2"	1/2"	25	200	Steel Ball Retainer
64621250	1/2"	1/2"	25	250	Steel Ball Retainer
<hr/>					
64622075	1/2"	1/2"	25	75	Pin Hole
64622100	1/2"	1/2"	25	100	Pin Hole
64622125	1/2"	1/2"	25	125	Pin Hole
64622150	1/2"	1/2"	25	150	Pin Hole
64622175	1/2"	1/2"	25	175	Pin Hole
64622200	1/2"	1/2"	25	200	Pin Hole
64622250	1/2"	1/2"	25	250	Pin Hole
<hr/>					
64624075	1/2"	1/2"	25	75	Lock Pin Retainer
64624100	1/2"	1/2"	25	100	Lock Pin Retainer
64624125	1/2"	1/2"	25	125	Lock Pin Retainer
64624150	1/2"	1/2"	25	150	Lock Pin Retainer
64624175	1/2"	1/2"	25	175	Lock Pin Retainer
64624200	1/2"	1/2"	25	200	Lock Pin Retainer
64624250	1/2"	1/2"	25	250	Lock Pin Retainer



Lock Pin Retainer



Pin Hole





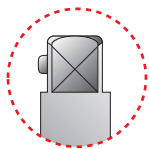
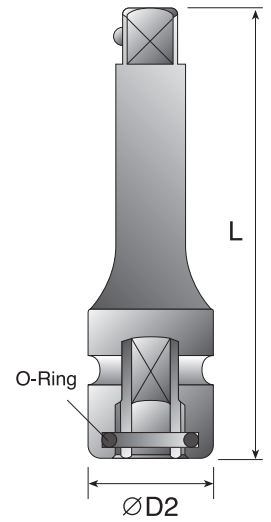
Steel Ball Retainer



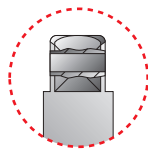
**CAUTION:** Always wear safety goggles when using impact equipment. Do not hold socket while in use.

**Extension Bars**

Order No.			D2	L	Male end
			mm	mm	Type
64641175	3/4"	3/4"	44	175	Steel Ball Retainer
64641250	3/4"	3/4"	44	250	Steel Ball Retainer
64641330	3/4"	3/4"	44	330	Steel Ball Retainer
64642175	3/4"	3/4"	44	175	Pin Hole
64642250	3/4"	3/4"	44	250	Pin Hole
64642330	3/4"	3/4"	44	330	Pin Hole
64644175	3/4"	3/4"	44	175	Lock Pin Retainer
64644250	3/4"	3/4"	44	250	Lock Pin Retainer
64644330	3/4"	3/4"	44	330	Lock Pin Retainer



**Lock Pin Retainer**



**Pin Hole**



**Steel Ball Retainer**

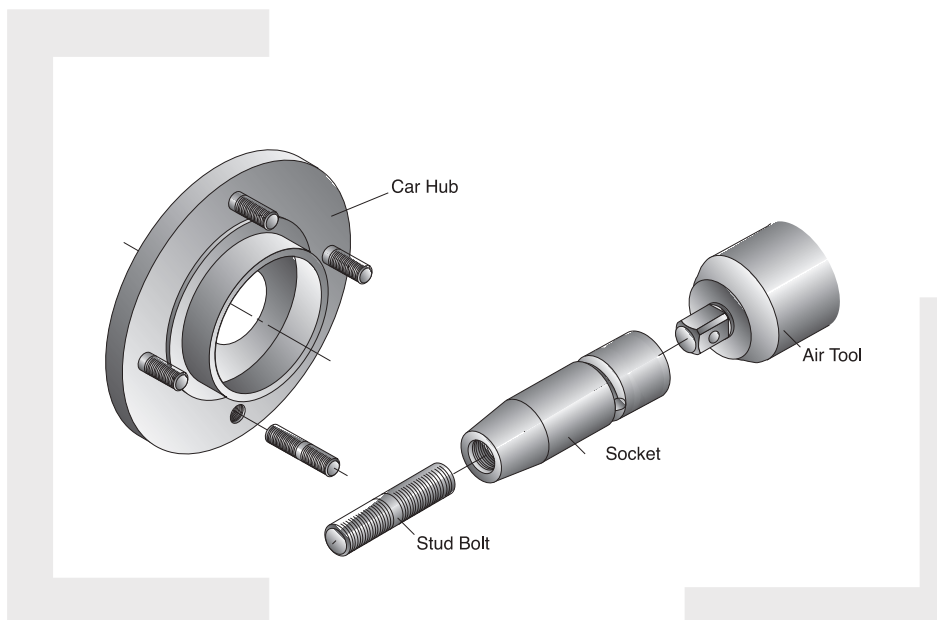
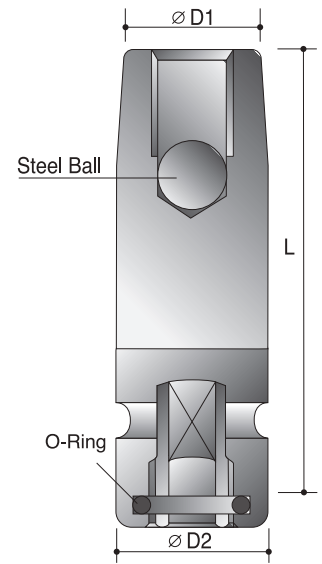
# 3/8"

## Sleeve Drive Impact Sockets



### Stud Setter Sockets

Order No.	size	D2	D1	L
		mm	mm	mm
66A10051	M5 x P0.8	22	12	50
66A10062	M6 x P1.0	22	12.5	50
66A10072	M7 x P1.0	22	13	50
66A10082	M8 x P1.0	22	15	50
66A10083	M8 x P1.25	22	14.5	50
66A10103	M10 x P1.25	22	18	50
66A10104	M10 x P1.50	22	17	50



**CAUTION:** Always wear safety goggles when using impact equipment. Do not hold socket while in use.



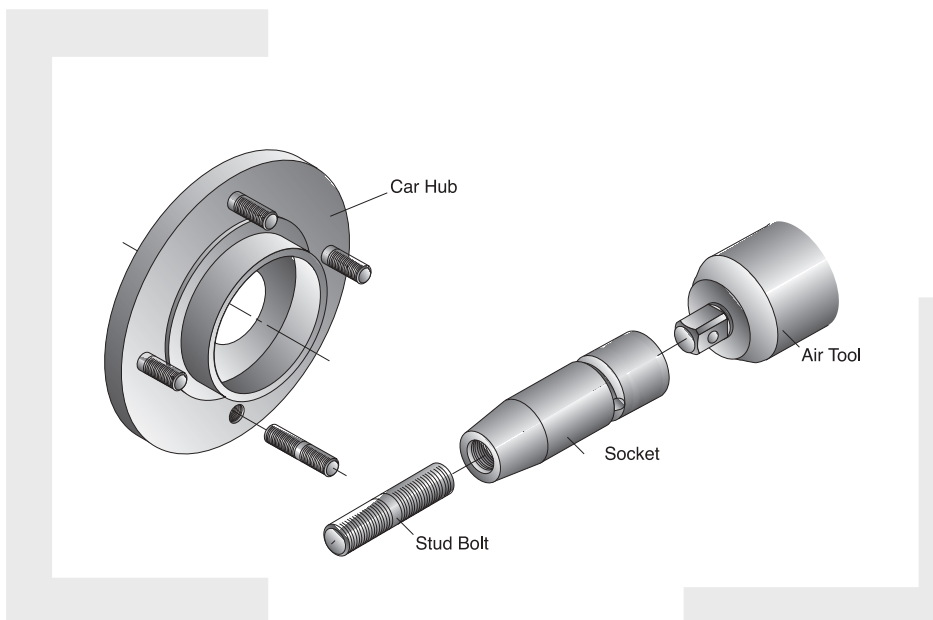
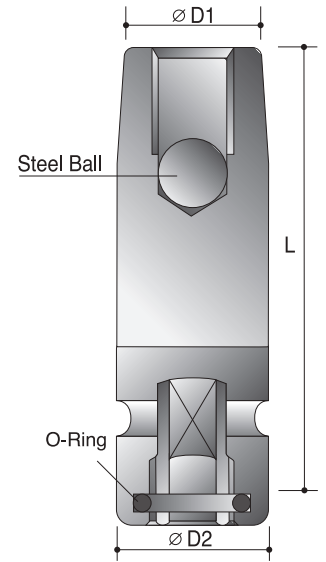
1/2"

Sleeve Drive Impact Sockets



Stud Setter Sockets

Order No.	size	D2	D1	L
		mm	mm	mm
66A21062	M6 x P1.0	25	13	75
66A21064	M6 x P1.5	25	13	75
66A21072	M7 x P1.0	25	14	75
66A21082	M8 x P1.0	25	15.5	75
66A21083	M8 x P1.25	25	15	75
66A21102	M10 x P1.0	25	19	75
66A21103	M10 x P1.25	25	18	75
66A21104	M10 x P1.5	25	17	75
66A21123	M12 x P1.25	25	21	75
66A21124	M12 x P1.50	25	20	75
66A21125	M12 x P1.75	25	19	75
66A21144	M14 x P1.5	25	23	75
66A21146	M14 x P2.0	25	22	75
66A21164	M16 x P1.5	30	28	75
66A21166	M16 x P2.0	30	27	75
66A21184	M18 x P1.5	30	29.5	75
66A21187	M18 x P2.5	30	29	75
66A21204	M20 x P1.5	30	30	75
66A21207	M20 x P2.5	30	30	75
<hr/>				
66A26166	1/2" - 13UNC	30	22	75
66A26207	5/8" - 11UNC	30	27	75
66A26247	3/4" - 10UNC	30	30	75





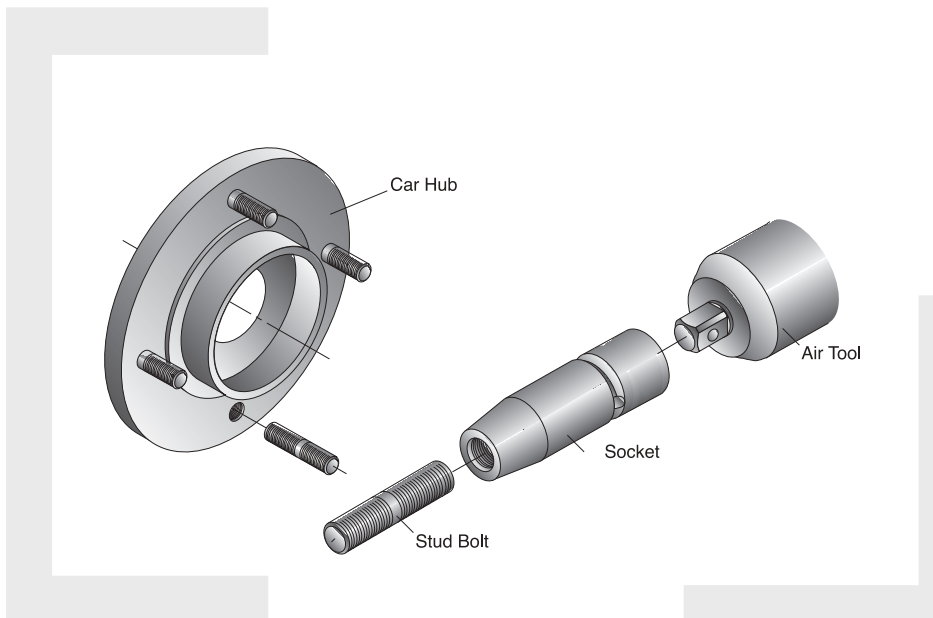
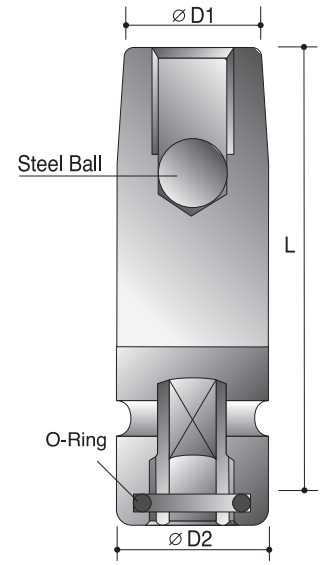
# 3/4"

## Sleeve Drive Impact Sockets



### Stud Setter Sockets

Order No.	size	D2	D1	L
		mm	mm	mm
66A40164	M16 x P1.5	44	29	100
66A40166	M16 x P2.0	44	29	100
66A40184	M18 x P1.5	44	31	100
66A40187	M18 x P2.5	44	31	100
66A40204	M20 x P1.5	44	33	100
66A40207	M20 x P2.5	44	33	100
66A40227	M22 x P2.5	44	35	100
66A40244	M24 x P1.5	44	37	100
66A40248	M24 x P3.0	44	37	100
66A40278	M27 x P3.0	44	40	100
66A40306	M30 x P2.0	44	43	100
66A40309	M30 x P3.5	44	43	100
66A40326	M32 x P2.0	44	46	100
66A40339	M33 x P3.5	44	47	100
66A40358	M35 x P3.0	44	49	100
66A40366	M36 x P2.0	44	51	100
66A40368	M36 x P3.0	44	51	100
66A4036A	M36 x P4.0	44	51	100
<hr/>				
66A45207	5/8" - 11UNC	44	30	100
66A45247	3/4" - 10UNC	44	32	100





**CAUTION:** Always wear safety goggles when using impact equipment. Do not hold socket while in use.

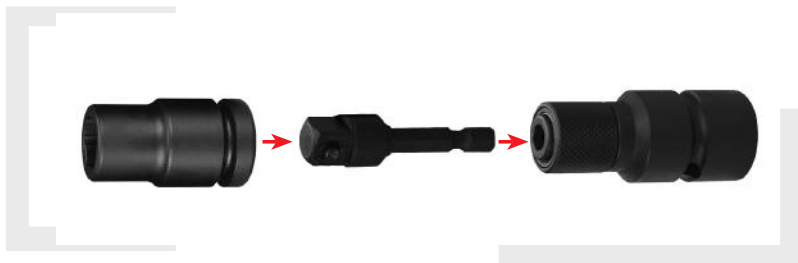
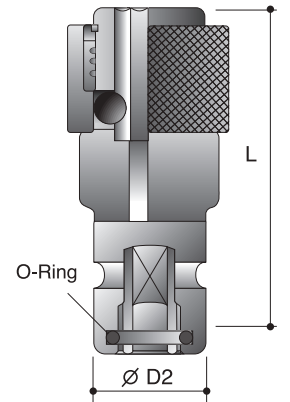


3/8"~1"

Sleeve Drive Quick Releasing Chucks



Order No.			D2	L
			mm	mm
69111E08	3/8"	1/4"	22	52
69111E10	3/8"	5/16"	22	52
69111E14	3/8"	7/16"	22	62
69112E08	1/2"	1/4"	25	60
69112E10	1/2"	5/16"	25	60
69112E14	1/2"	7/16"	25	70
69112E20	1/2"	5/8"	30	80
69114E14	3/4"	7/16"	44	80
69114E20	3/4"	5/8"	44	92
69114E28	3/4"	7/8"	44	96
69115A12	1"	3/8"	54	104
69115A14	1"	7/16"	54	104





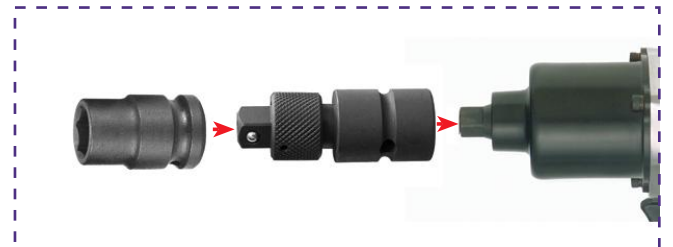
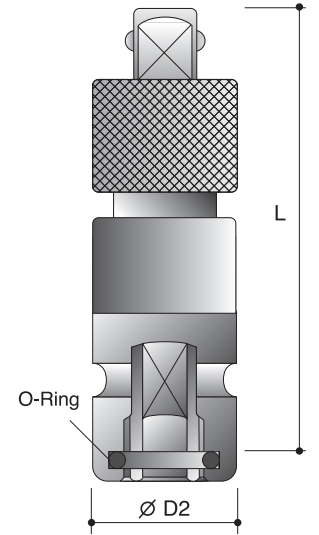


# 3/8"~3/4"

## Sleeve Drive Quick-Change Adapters



Order No.			D2	L	male end
			mm	mm	type
69151116	3/8"	1/2"	20	80	Steel Ball Retainer
69152112	1/2"	3/8"	25	75	Steel Ball Retainer
69152212	1/2"	3/8"	25	100	Steel Ball Retainer
69152312	1/2"	3/8"	25	125	Steel Ball Retainer
69152412	1/2"	3/8"	25	150	Steel Ball Retainer
69152512	1/2"	3/8"	25	175	Steel Ball Retainer
69152612	1/2"	3/8"	25	200	Steel Ball Retainer
69152712	1/2"	3/8"	25	250	Steel Ball Retainer
69152812	1/2"	3/8"	25	300	Steel Ball Retainer
69152024	1/2"	3/4"	30	115	Steel Ball Retainer
69154116	3/4"	1/2"	44	90	Steel Ball Retainer
69154316	3/4"	1/2"	44	125	Steel Ball Retainer
69154416	3/4"	1/2"	44	150	Steel Ball Retainer
69154616	3/4"	1/2"	44	200	Steel Ball Retainer
69154716	3/4"	1/2"	44	250	Steel Ball Retainer
69154816	3/4"	1/2"	44	300	Steel Ball Retainer
69154A16	3/4"	1/2"	44	400	Steel Ball Retainer



**CAUTION:** Always wear safety goggles when using impact equipment. Do not hold socket while in use.



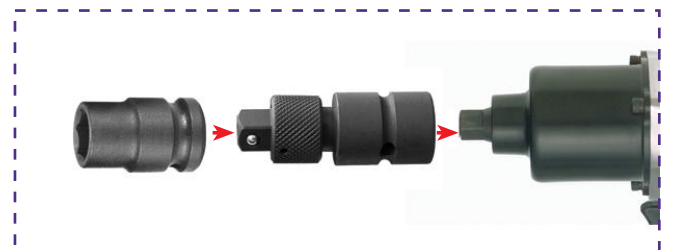
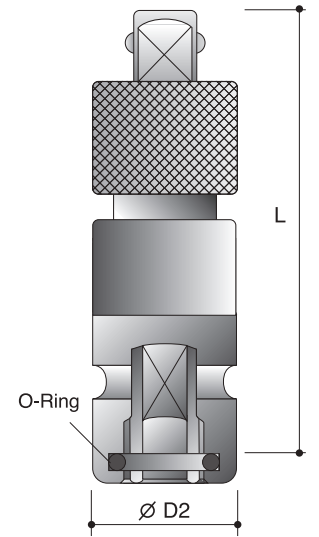


# 3/8"~3/4"



## Sleeve Drive Quick-Change Extension Bars

Order No.			D2	L	male end
			mm	mm	type
69151112	3/8"	3/8"	19	75	Steel Ball Retainer
69151212	3/8"	3/8"	19	100	Steel Ball Retainer
69151312	3/8"	3/8"	19	125	Steel Ball Retainer
69151412	3/8"	3/8"	19	150	Steel Ball Retainer
69151612	3/8"	3/8"	19	200	Steel Ball Retainer
69151712	3/8"	3/8"	19	250	Steel Ball Retainer
69151812	3/8"	3/8"	19	300	Steel Ball Retainer
69152216	1/2"	1/2"	25	100	Steel Ball Retainer
69152316	1/2"	1/2"	25	125	Steel Ball Retainer
69152416	1/2"	1/2"	25	150	Steel Ball Retainer
69152516	1/2"	1/2"	25	175	Steel Ball Retainer
69152616	1/2"	1/2"	25	200	Steel Ball Retainer
69152716	1/2"	1/2"	25	250	Steel Ball Retainer
69152816	1/2"	1/2"	25	300	Steel Ball Retainer
69154324	3/4"	3/4"	44	125	Steel Ball Retainer
69154424	3/4"	3/4"	44	150	Steel Ball Retainer
69154624	3/4"	3/4"	44	200	Steel Ball Retainer
69154724	3/4"	3/4"	44	250	Steel Ball Retainer
69154824	3/4"	3/4"	44	300	Steel Ball Retainer
69154A24	3/4"	3/4"	44	400	Steel Ball Retainer





## **ACTION TOOLS CORP.**

Mail: P.O. Box 1654, Taichung, Taiwan, R.O.C.  
Factory: No.82, Lane 352, Kwang Fu Road, Kwang  
Fu Li, Situn District, Taichung 40760, Taiwan, R.O.C.  
Tel: 886-4-24250300 Fax: 886-4-24250025  
E-mail: [action@ms10.hinet.net](mailto:action@ms10.hinet.net)  
[www.actiontools.com.tw](http://www.actiontools.com.tw)